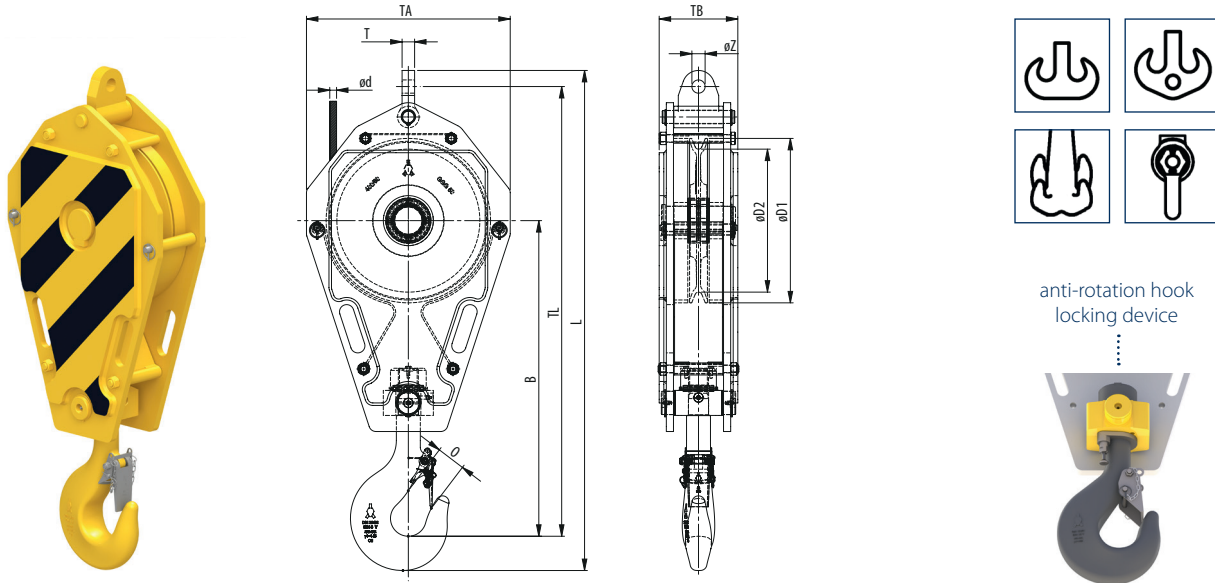


## FAST REEVE CRANE BLOCKS

## 1 SHEAVE



Model No.	WLL (USTons)	For wire ød (inch)	Hook size	Dimensions (inch)									Weight (lbs)
				øD1	øD2	B	O	TA	TL	L	T	øZ	
FRB 225.xx.1.12.5.E	13.7	3/8 - 1/4	4	10.2	8.9	23.1	2.2	13.6	34	38.2	TBD	TBD	195
FRB 260.xx.1.12.5.E	13.7	7/16 - 5/8	4	11.8	10.2	25.7	2.2	15.7	36.9	41.9	TBD	TBD	220
FRB 225.xx.1.16.E	17.6	3/8 - 1/4	6	10.2	8.9	23.9	2.8	13.6	34.8	39.7	TBD	TBD	225
FRB 260.xx.1.16.E	17.6	7/16 - 5/8	6	11.8	10.2	27.3	2.8	15.7	38.5	43.4	TBD	TBD	265   325   375
FRB 285.xx.1.16.E	17.6	1/2 - 3/4	6	12.6	11.2	28.5	2.8	16.5	40.3	45.2	TBD	TBD	350
FRB 320.xx.1.16.E	17.6	9/16 - 3/4	6	14.4	12.6	28.7	2.8	17.7	41.8	16.8	TBD	TBD	350
FRB 355.xx.1.16.E	17.6	9/16 - 7/8	6	16.1	14	31	2.8	19.7	44.6	49.7	TBD	TBD	500   550
FRB 260.xx.1.20.E	22	7/16 - 5/8	8	11.8	10.2	29.4	3.1	15.7	40.7	46	TBD	TBD	285   375   425
FRB 285.xx.1.20.E	22	1/2 - 3/4	8	12.6	11.2	30.6	3.1	16.5	42.4	47.8	TBD	TBD	350
FRB 320.xx.1.20.E	22	9/16 - 3/4	8	14.4	12.6	30.2	3.1	17.7	43.3	48.7	TBD	TBD	350   425   475
FRB 355.xx.1.20.E	22	9/16 - 7/8	8	16.1	14	33.6	3.1	19.7	47.2	52.5	TBD	TBD	550   660
FRB 355.xx.1.25.E	27.5	9/16 - 7/8	8	16.1	14	33.4	3.1	19.7	47	52.5	TBD	TBD	550   750
FRB 400.xx.1.25.E	27.5	5/8 - 1	8	18.1	15.7	34.8	3.1	22.4	49.5	55.2	TBD	TBD	700   750
FRB 400.xx.1.26.E	28.5	5/8 - 1	8	18.1	15.7	34.8	3.1	22.4	49.5	55.2	TBD	TBD	1100
FRB 400.xx.1.29.E	32	5/8 - 1	8	18.1	15.7	34.8	3.1	22.4	49.9	55.6	TBD	TBD	800
FRB 450.xx.1.29.E	32	3/4 - 1 1/8	8	20.3	17.7	37.3	3.1	23.6	51.4	59.3	TBD	TBD	650   800
FRB 450.xx.1.32.E	35	3/4 - 1 1/8	10	20.3	17.7	39.5	3.5	23.6	56.1	62.7	TBD	TBD	1100   1320
FRB 528.xx.1.32.E	35	7/8 - 1 1/4	10	23.4	20.8	40.5	3.5	28	58.7	65.3	TBD	TBD	1100   1320   1500   1800
FRB 670.xx.1.32.E	35	1 - 1 1/2	10	29.9	26.4	41.3	3.5	34.3	63.3	70.3	TBD	TBD	1700
FRB 450.xx.1.40.E	45	3/4 - 1 1/8	12	20.3	17.7	42.3	3.9	23.6	58.9	65.9	TBD	TBD	1300   1500
FRB 528.xx.1.40.E	45	7/8 - 1 1/4	12	23.4	20.8	43.9	3.9	28	62.7	69.7	TBD	TBD	1500   1700   1875   2000
FRB 450.xx.1.50.E	55	3/4 - 1 1/8	12	20.3	17.7	43.1	3.9	23.6	59.6	67.2	TBD	TBD	1300   1500
FRB 528.xx.1.50.E	55	7/8 - 1 1/4	12	23.4	20.8	43.7	3.9	28	62.6	70.1	TBD	TBD	1500   1700   1875   2000
FRB 575.xx.1.50.E	55	15/16 - 1 1/4	12	25.6	22.6	45	3.9	30.3	64.9	72.9	TBD	TBD	2200
FRB 630.xx.1.50.E	55	1 - 1 3/8	12	27.9	24.8	43.6	3.9	35.4	64.7	72.1	TBD	TBD	1800 / 3500 / 5300*
FRB 670.xx.1.50.E	55	1 - 1 1/2	12	29.9	26.4	44.1	3.9	34.3	66.3	73.7	TBD	TBD	2000   2600   3000
FRB 670.xx.1.64.E	70	1 - 1 1/2	16	29.9	26.4	49.1	4.4	34.3	71.4	79.3	TBD	TBD	2200   2600   3000

\* Removable cheek weights

Minimum Ultimate Strength = 4 x WLL

- The dimensions in this table are indicative only. A drawing will always be submitted prior production and will be the leading document when discussing dimensions.
- Blocks shown here are standard models; inquiries for custom versions are welcome.
- Refer to wire rope manufacturers D/d ratio guideline.
- Optional: Hook locking pin.



**SEE OUR WARNING & SAFETY INFORMATION**